

Standing Block Stand

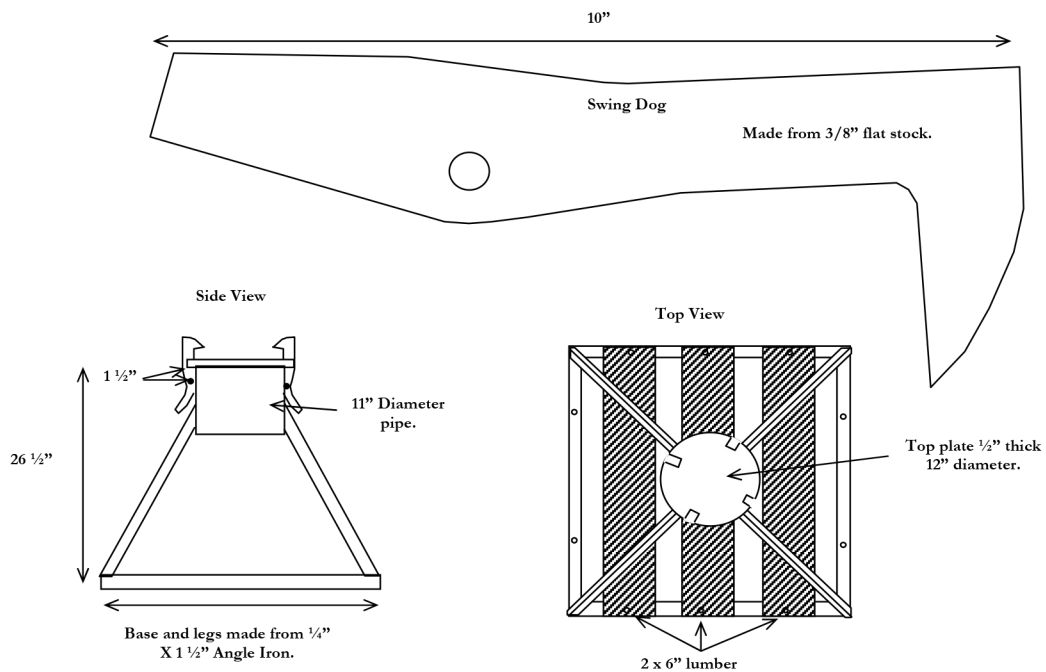


Figure 5. Plans for standing block stands.